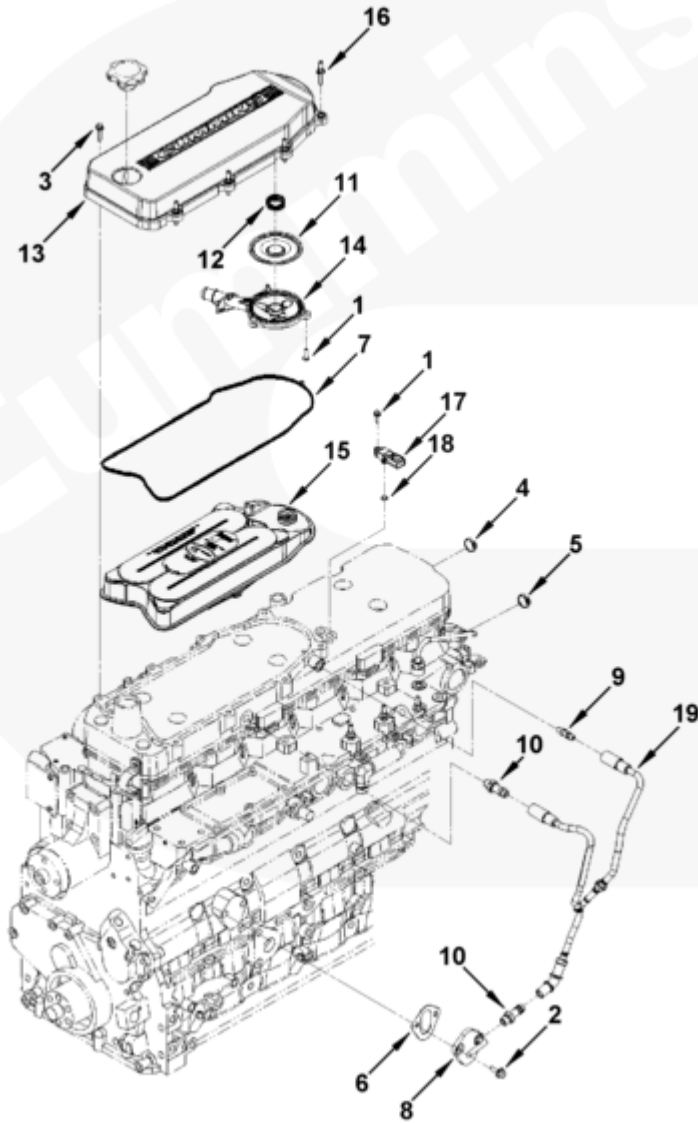




Parts Catalog - Option Detail

Electronic Parts Catalog - Option Detail				
Option	Group	Graphic	Film Card	Date
BR9415	03.02	br961gg	T	10-MAR-11
Engines	4B3.9, 6A3.4, 6B5.9, B GAS INTERNATIONAL CM556, B4.5, B4.5 CM2350 B129B, B4.5 CM2350 B146C, B4.5 CM2350 B147B, B4.5 RGT, B4.5S, B5.9 G, B5.9 GAS PLUS CM556, B5.9 LPG, B5.9 LPG PLUS CM556, B6.7 CM2350 B121B, B6.7 CM2350 B135B, B6.7 CM2350 B136C, B6.7 CM2350 B148B, B6.7 G CMOH6.0 B125, B6.7N CM2380 B150B, B6.7S, F3.8 CM2350 F120B, F3.8 CM2350 F128C, F3.8 CM2350 F132B, F3.8 F102, G3.9, G5.9, G5.9 CM558, ISB (CHRYSLER), ISB CM2150, ISB CM2150 E, ISB CM550, ISB CM850, ISB/ISD4.5 CM2150 B119, ISB/ISD4.5 CM2150 SN, ISB/ISD6.7 CM2150 B120, ISB/ISD6.7 CM2150 SN, ISB/ISD6.7 CM2880 B126, ISB3.9 CM2220 B107, ISB4.5 CM2150, ISB5.9G CM2180, ISB6.7 2010 DCX PICKUP, ISB6.7 2013 DCX CHASSIS CAB, ISB6.7 CM2150 SQ, ISB6.7 CM2250, ISB6.7 CM2350 B101, ISB6.7 CM2350 B103, ISB6.7 CM2350 B142, ISB6.7 CM2670 B153B, ISB6.7 G CM2180 B118, ISBE CM2150, ISBE CM800, ISBE2/ISBE3 CM850, ISBE4 CM850, ISD4.5 CM2150, ISD6.7 CM2880 D101, ISF2.8 CM2220, ISF2.8 CM2220 AN, ISF2.8 CM2220 EC, ISF2.8 CM2220 ECF2, ISF2.8 CM2220 F101, ISF2.8 CM2220 F117, ISF2.8 CM2220 F122, ISF2.8 CM2220 F126, ISF2.8 CM2220 F129, ISF2.8 CM2220 IAN, ISF3.8 CM2220, ISF3.8 CM2220 AN, ISF3.8 CM2220 F103, ISF3.8 CM2220 F110, ISF3.8 CM2220 F116, ISF3.8 CM2220 F134B, ISF3.8 CM2220 IAN, ISF3.8 CM2350 F109, ISF4.5 CM2220 F123, ISG11 CM2880 G106, ISG11 CM2880 G108, ISG12 CM2880 G107, ISG12 CM2880 G109, ISG12 G CMOH6.0 G111, QSB3.9 30 CM550, QSB3.9 CM2880 B138, QSB4.5 30 CM550, QSB4.5 CM2150 B108, QSB4.5 CM2250 B131, QSB4.5 CM2250 EC, QSB4.5 CM2350 B106, QSB4.5 CM2350 B122			



br961gg

SMALL | MEDIUM | LARGE

Cart	Ref No	Part Number	Part Description	Required	Remarks
View My Cart					
		BR9415	Crankcase Breather		Crankcase Breather...(More)
					Engine Family: B Series
					Breather Type: Closed
					Filter Supply Method: Mounted
					Fuel Type: Diesel
					Plumbing Mtg Responsibility:
					Cummins
					Breather Loc: Valve Cover
					Engine Cylinders: 6

					Engine Aspiration: CAC,
					Turbocharged
					Breather Drain Loc: External
					Oil Drain Tube to Crankcase
<input type="checkbox"/>	1	3679118	Hexagon Flange Head Cap Screw	1	M5 X 0.80 X 16.
<input type="checkbox"/>	2	3900630	Hexagon Flange Head Cap Screw	2	M8 X 1.25 X 20
<input type="checkbox"/>	3	3902023	Hexagon Flange Head Cap Screw	4	M6 X 1.00 X 25
<input type="checkbox"/>	4	3905368	Expansion Plug	1	
<input type="checkbox"/>	5	3920443	Expansion Plug	1	
<input type="checkbox"/>	6	3939258	Cover Plate Gasket	1	
<input type="checkbox"/>	7	3999820	Breather Gasket	1	
<input type="checkbox"/>	8	4931725	Access Hole Cover	1	
<input type="checkbox"/>	9	4932701	Plain Hose Coupling	1	
<input type="checkbox"/>	10	4934496	Plain Hose Coupling	2	
<input type="checkbox"/>		4936347	Breather Cover	1	
<input type="checkbox"/>	1	3679118	Hexagon Flange Head Cap Screw	3	M5 X 0.80 X 16.
	11	4931260	Diaphragm	1	
	12	4931261	Compression Spring	1	
	13	4936346	Breather Cover	1	
	14	4940281	Breather Housing	1	
<input type="checkbox"/>	15	4936636	Breather Element	1	Fleetguard P/N CV52001.
<input type="checkbox"/>	16	4938699	Studded Flange Cap Screw	4	
<input type="checkbox"/>	17	4984575	Pressure Sensor	1	Crankcase Breather.
<input type="checkbox"/>	18	4928592	O-Ring Seal	1	
<input type="checkbox"/>	19	5255740	Lubricating Oil Drain Tube	1	